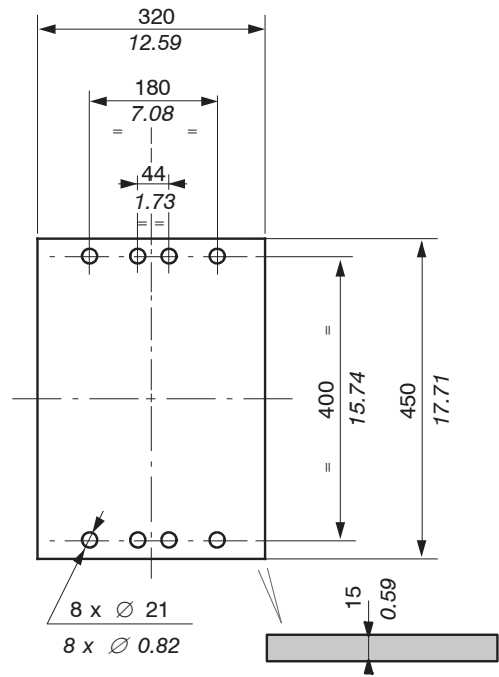


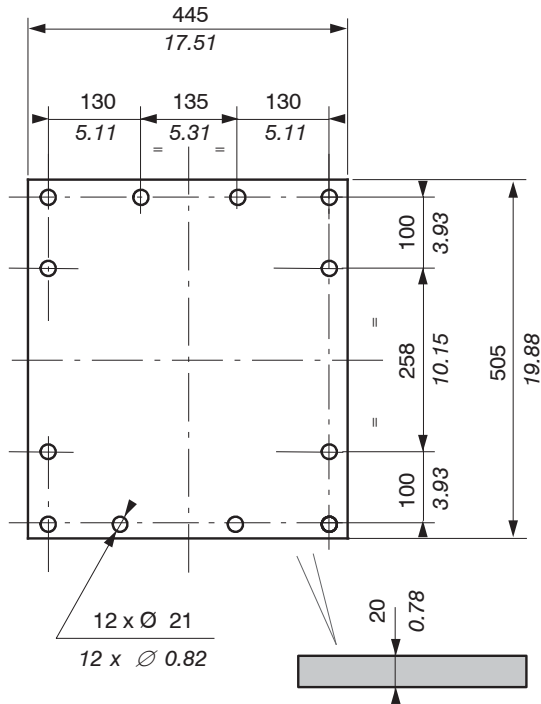
mm
 in.

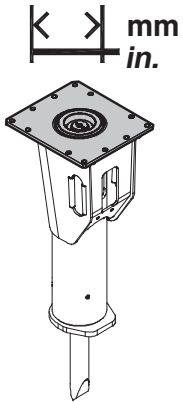
SC 22 - SC 28



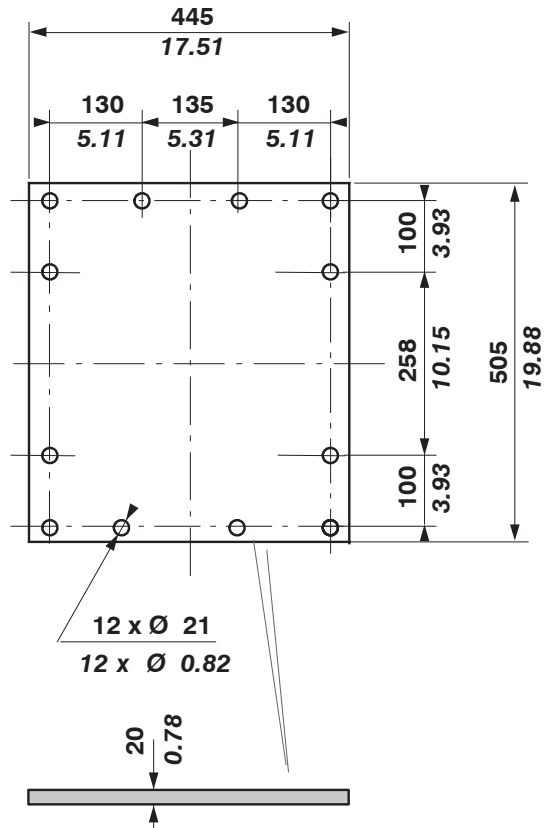
K. > mm
in.

SC 36

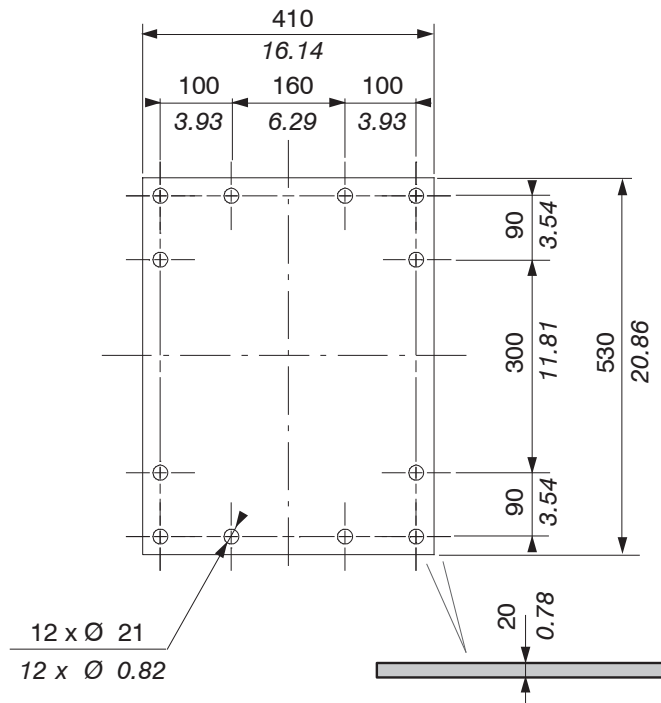


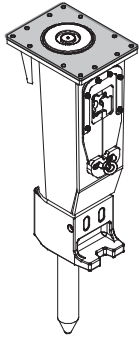


SC42

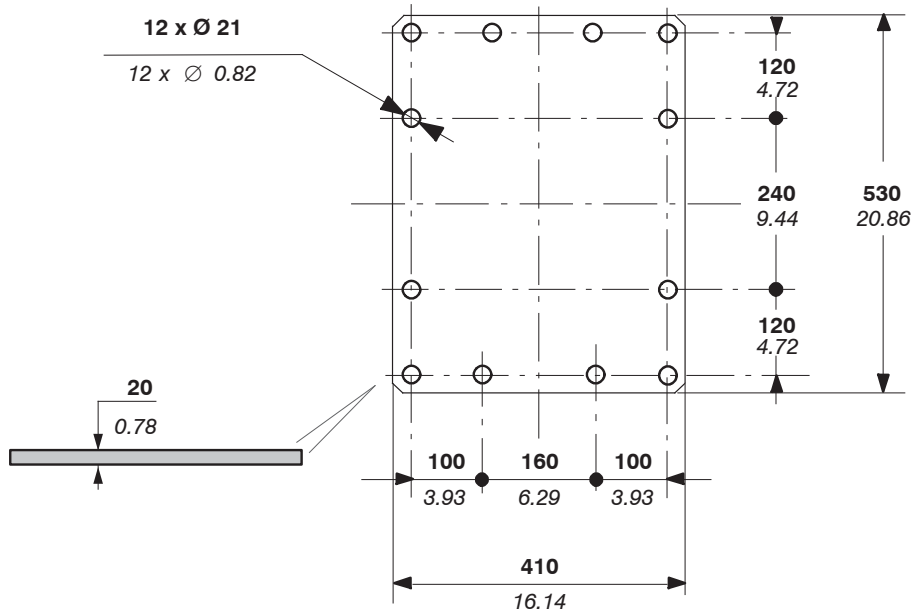


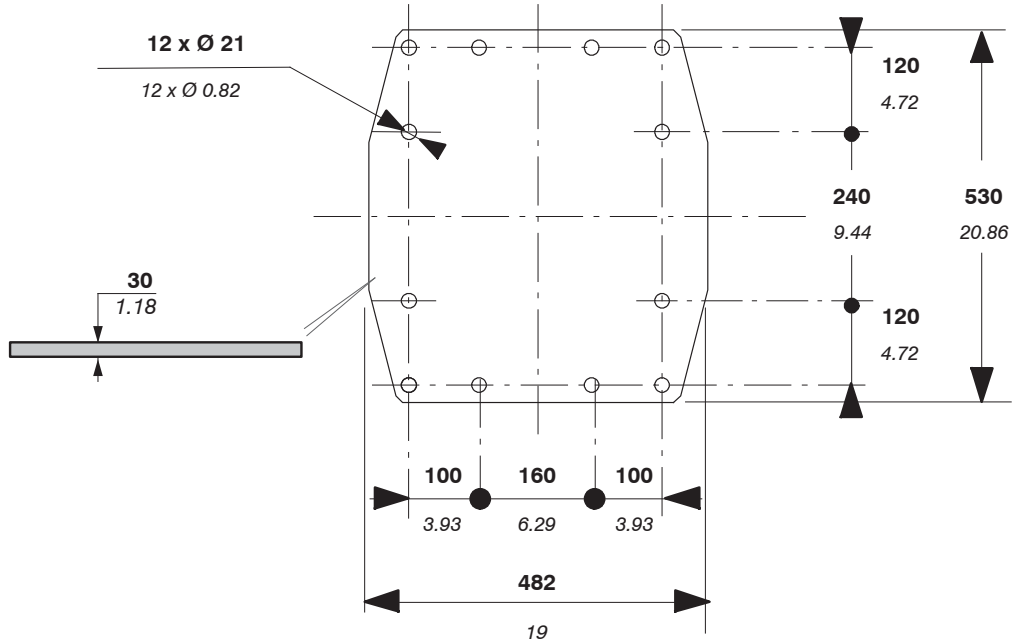
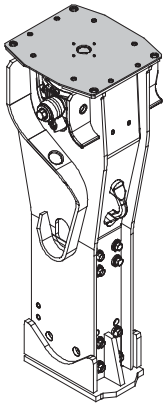
SC50



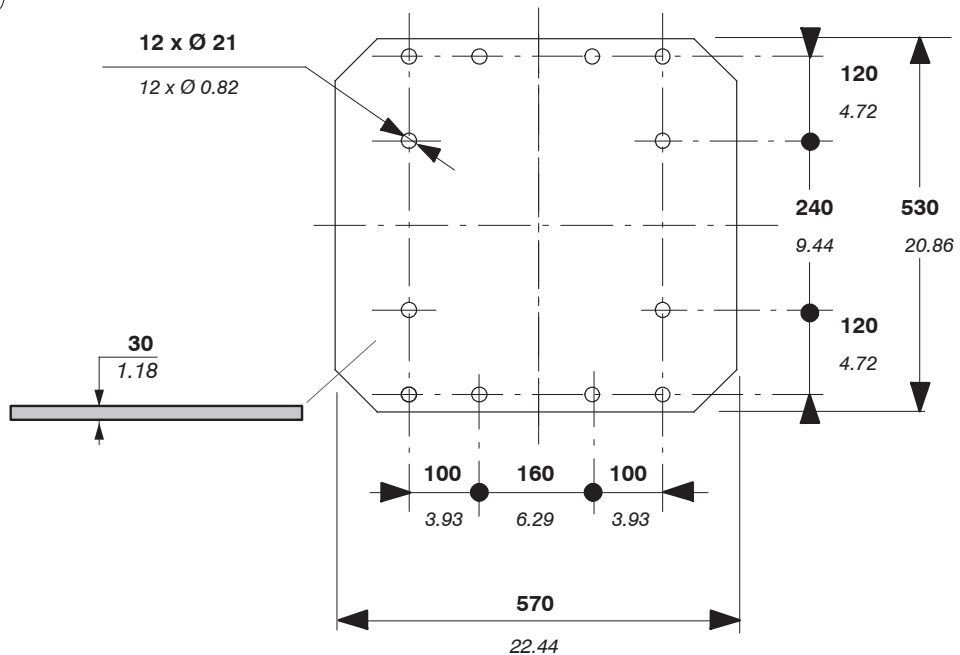
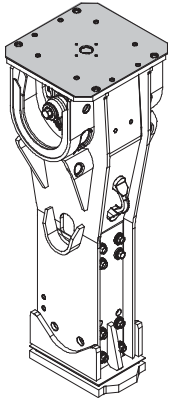


501 NG





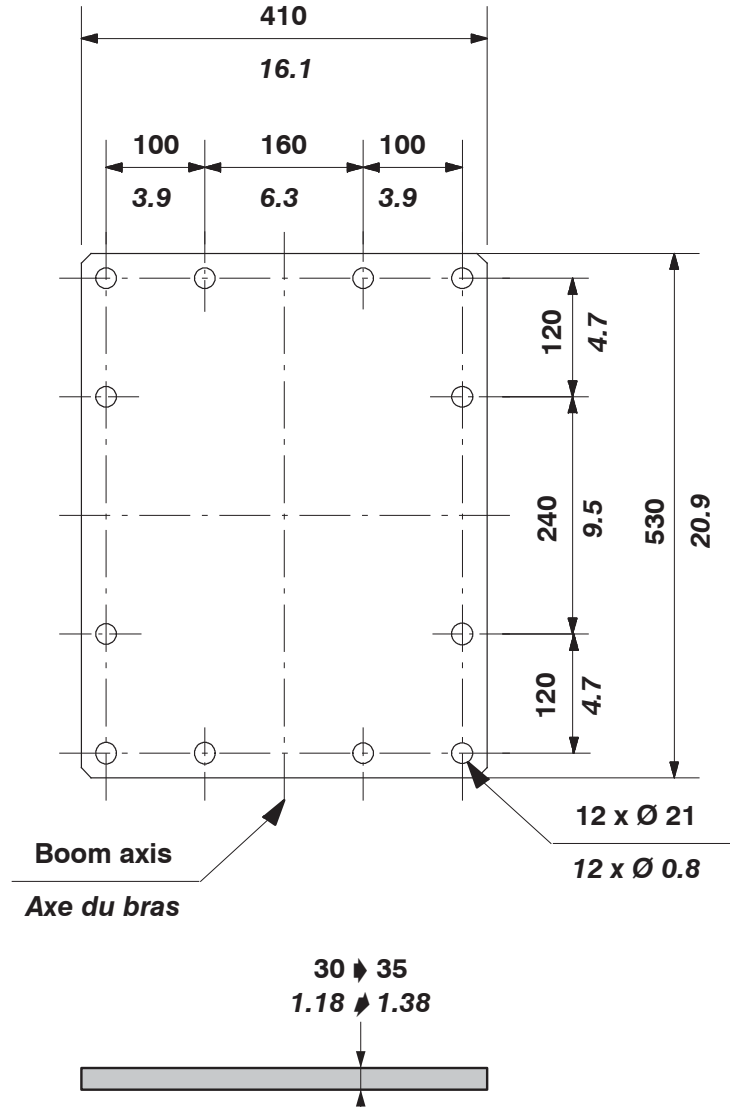
**M900
MS**



$\begin{matrix} \text{K} & \text{X} & \text{mm} \\ \text{X} & \text{K} & \text{in} \end{matrix}$

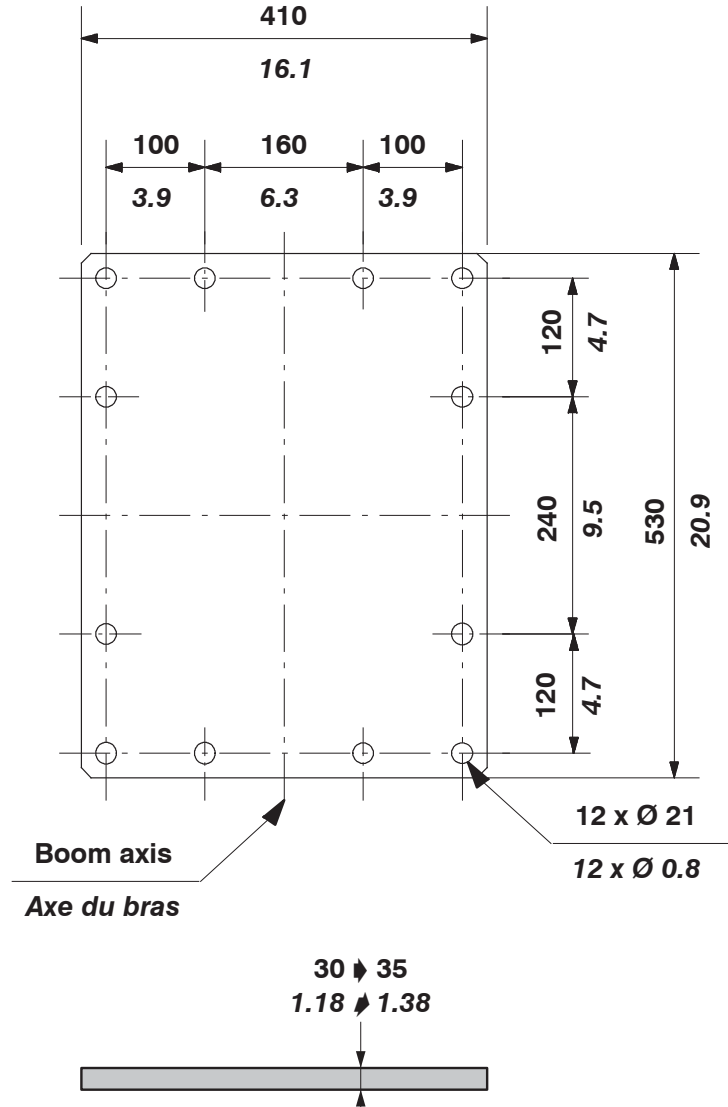

 mm
 in.

N-2000

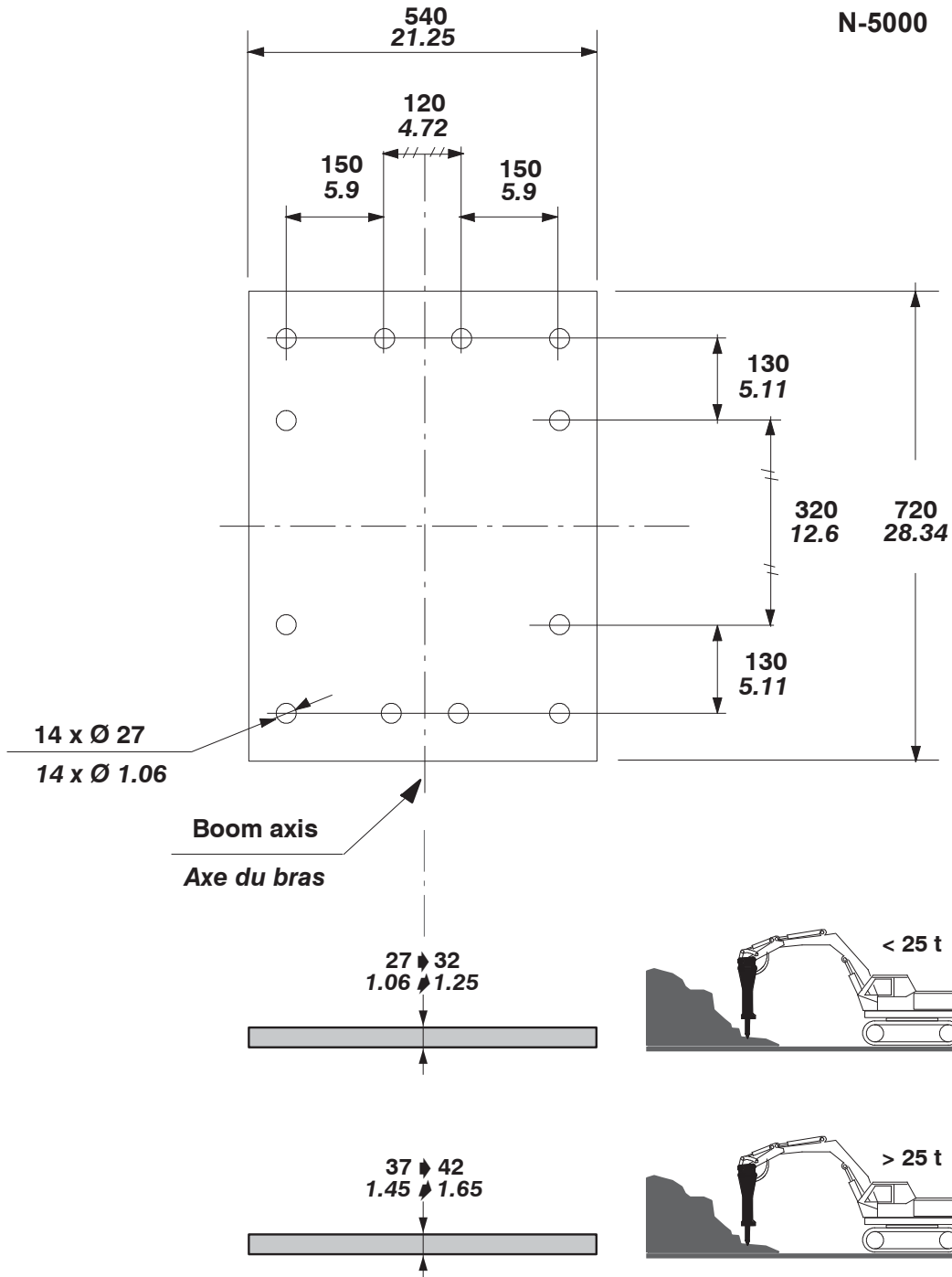


 mm
 in.

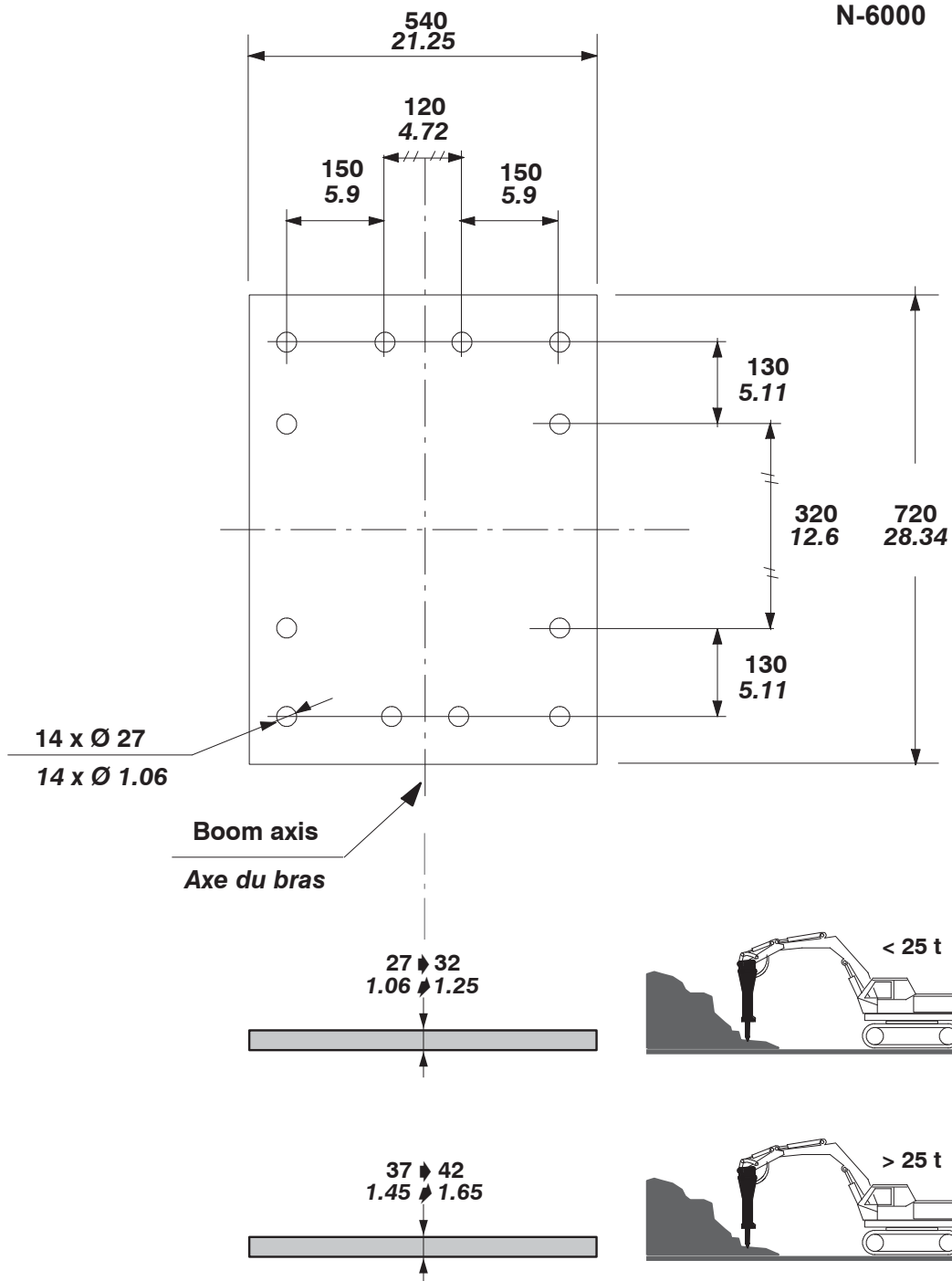
N-3000




 mm
 in.

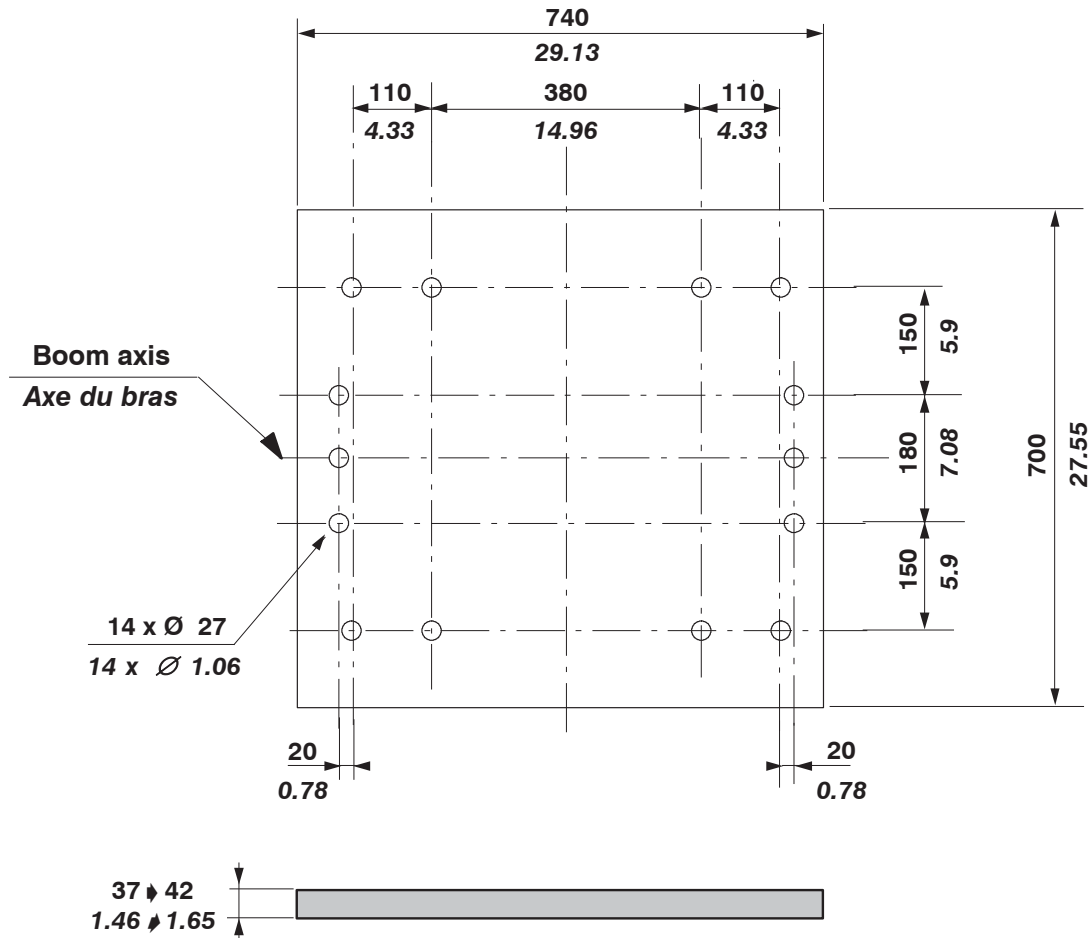


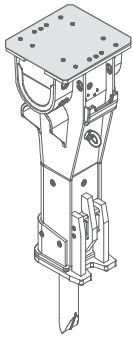
 mm
 in.



 mm
 in.

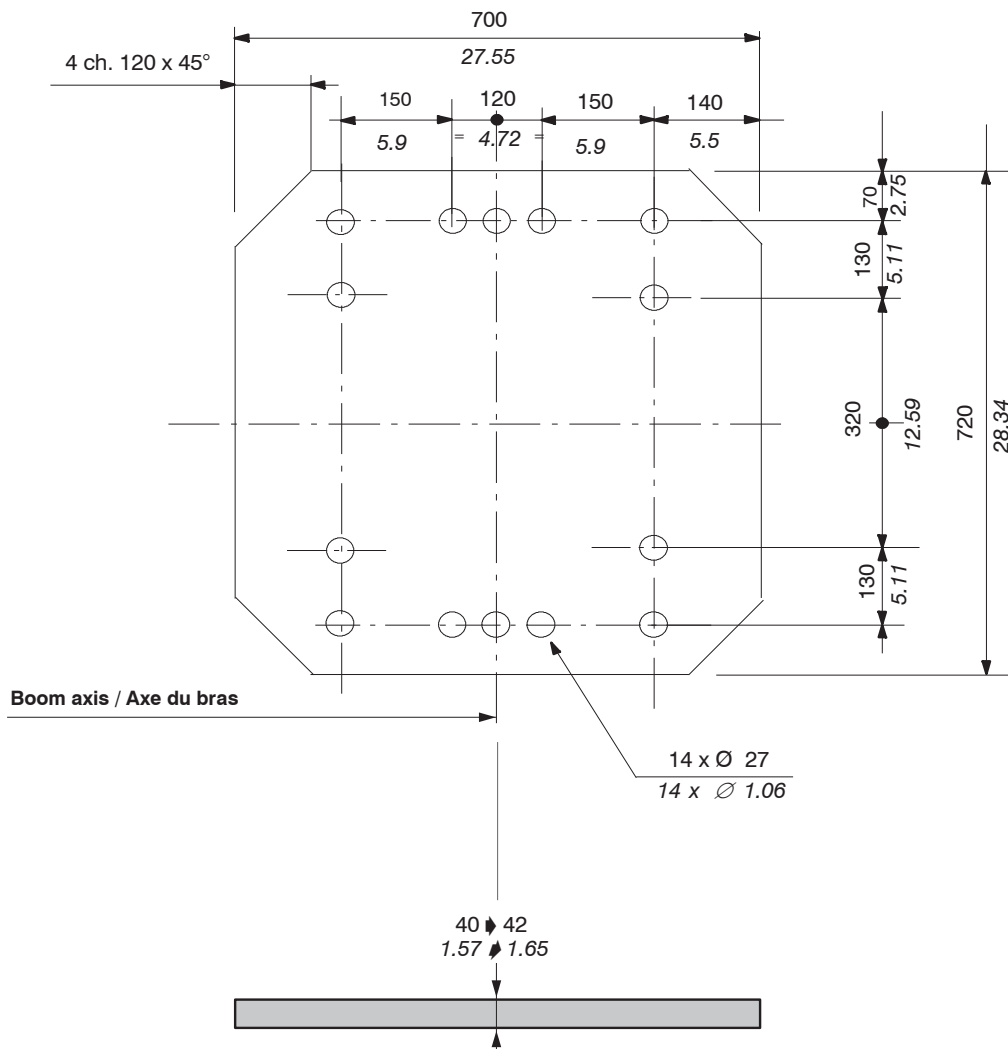
N-8000





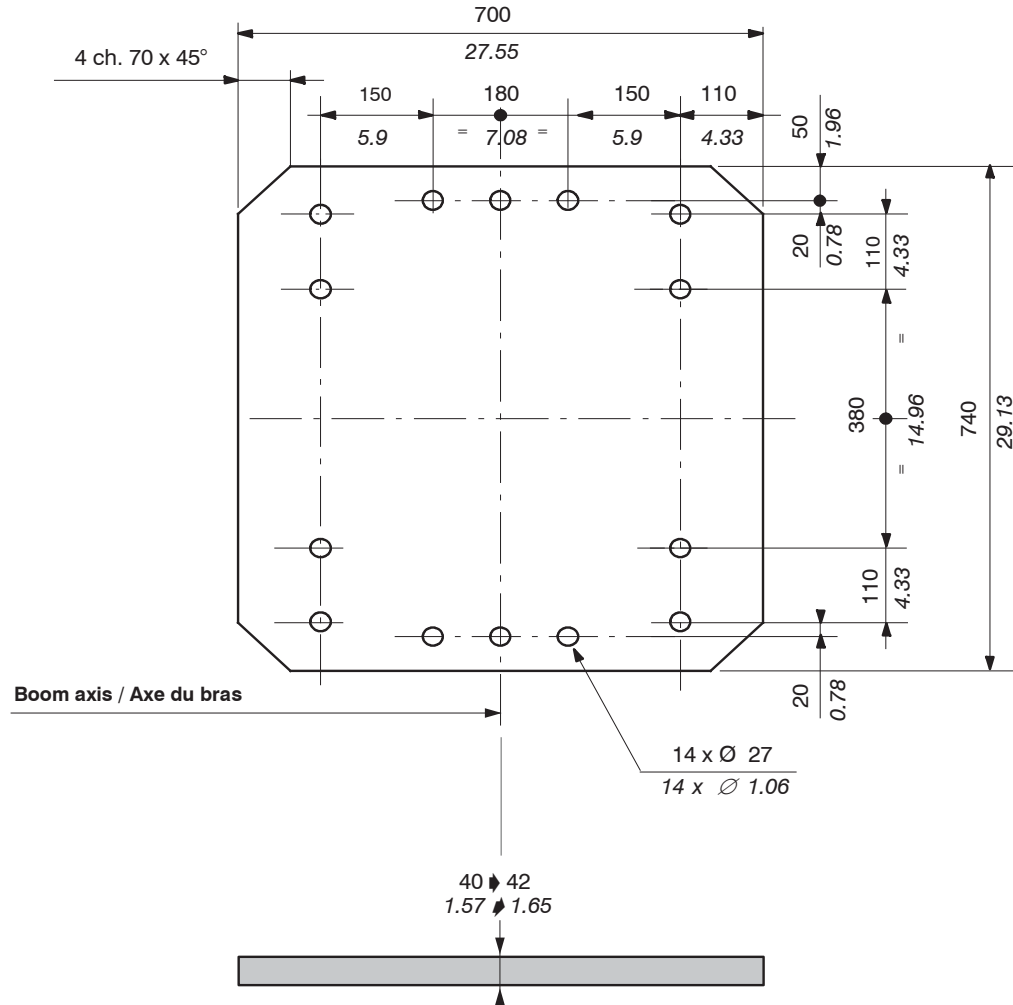
mm
in.

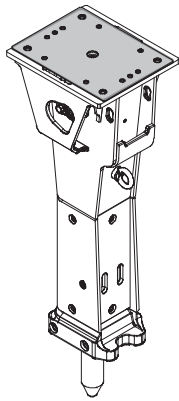
V1800



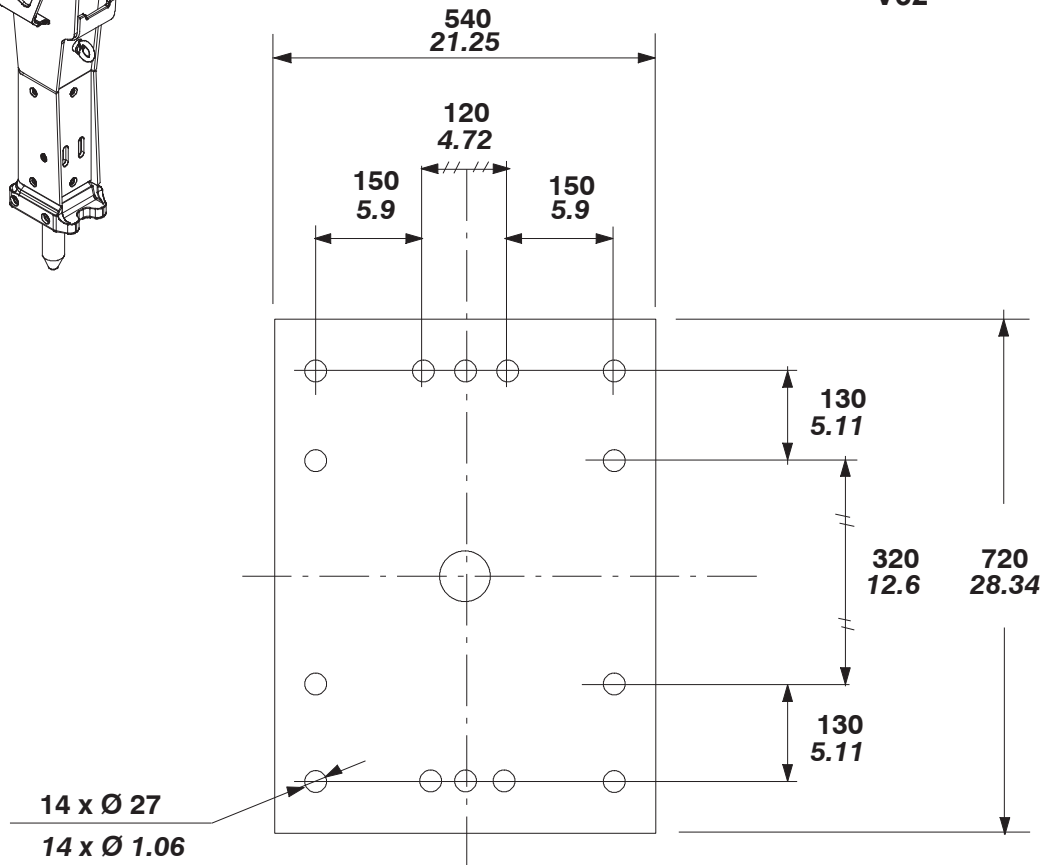
$\left\{ \begin{array}{l} K \\ \right\}$ mm
 $\left\{ \begin{array}{l} & \\ & \end{array} \right\}$ in.

V2500

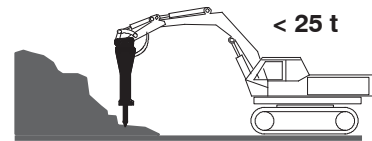




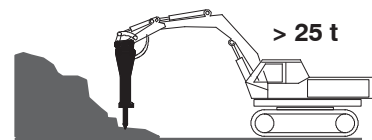
V32



27 → 32
1.06 → 1.25

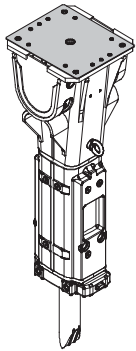


37 → 42
1.45 → 1.65

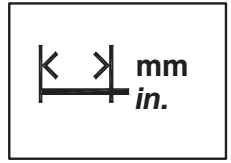
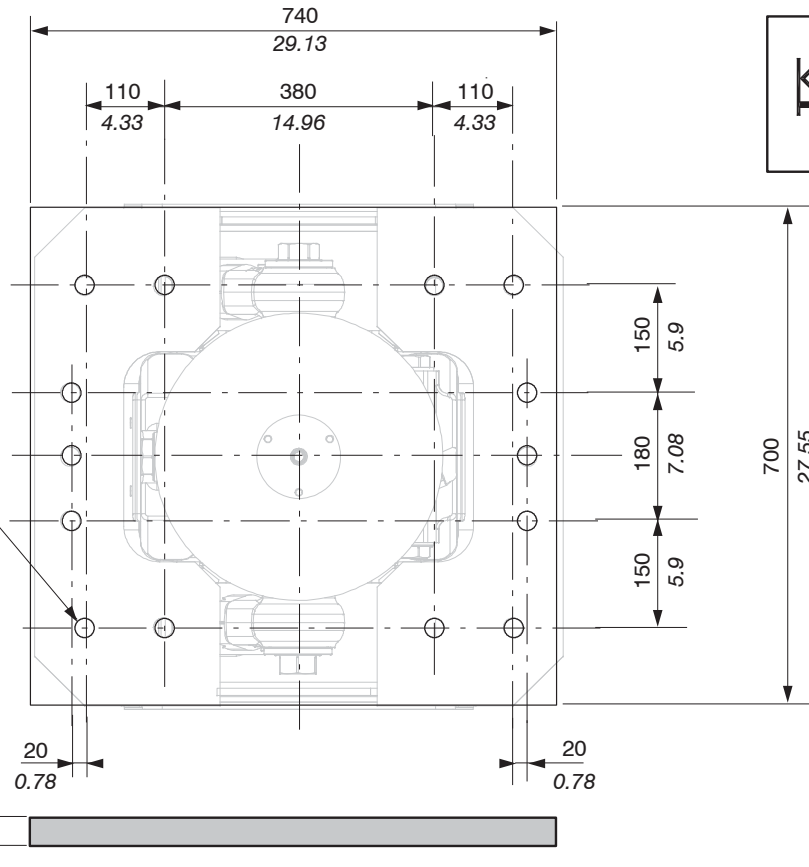


mm
in

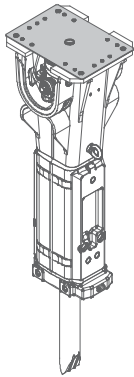
V46



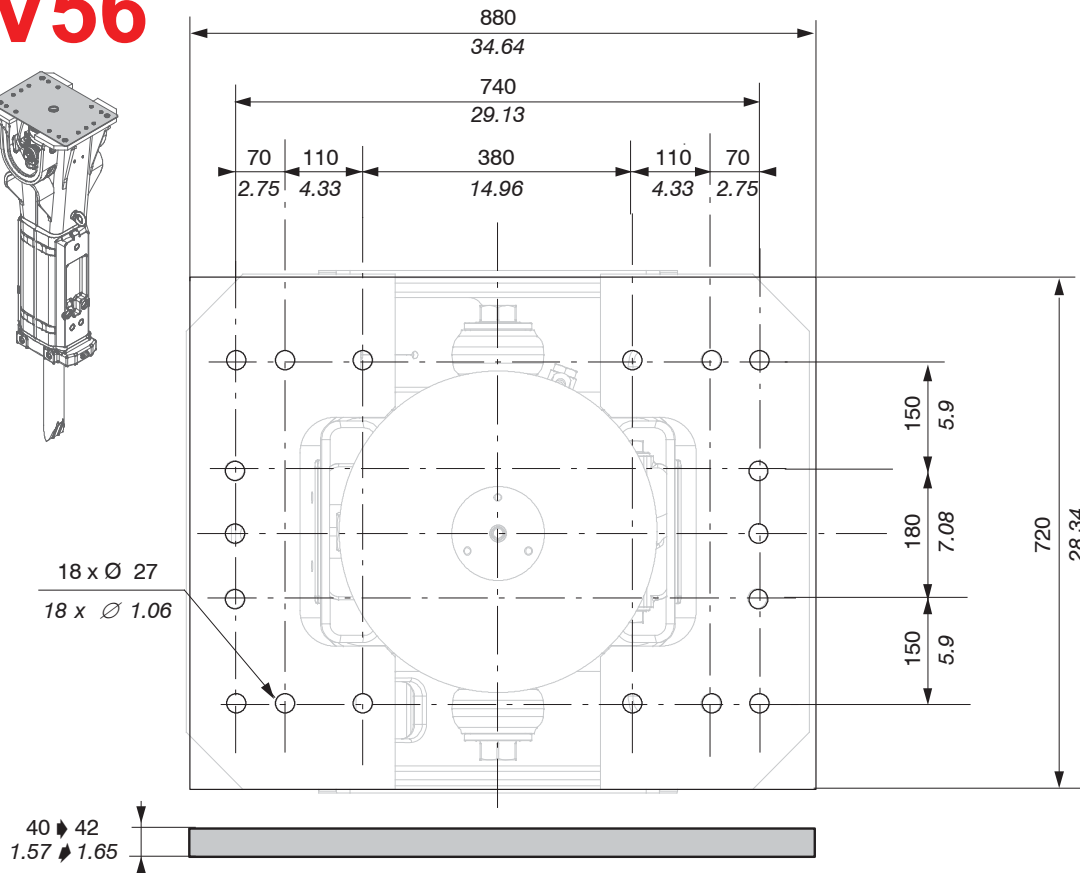
14 x Ø 27
 14 x Ø 1.06



V56

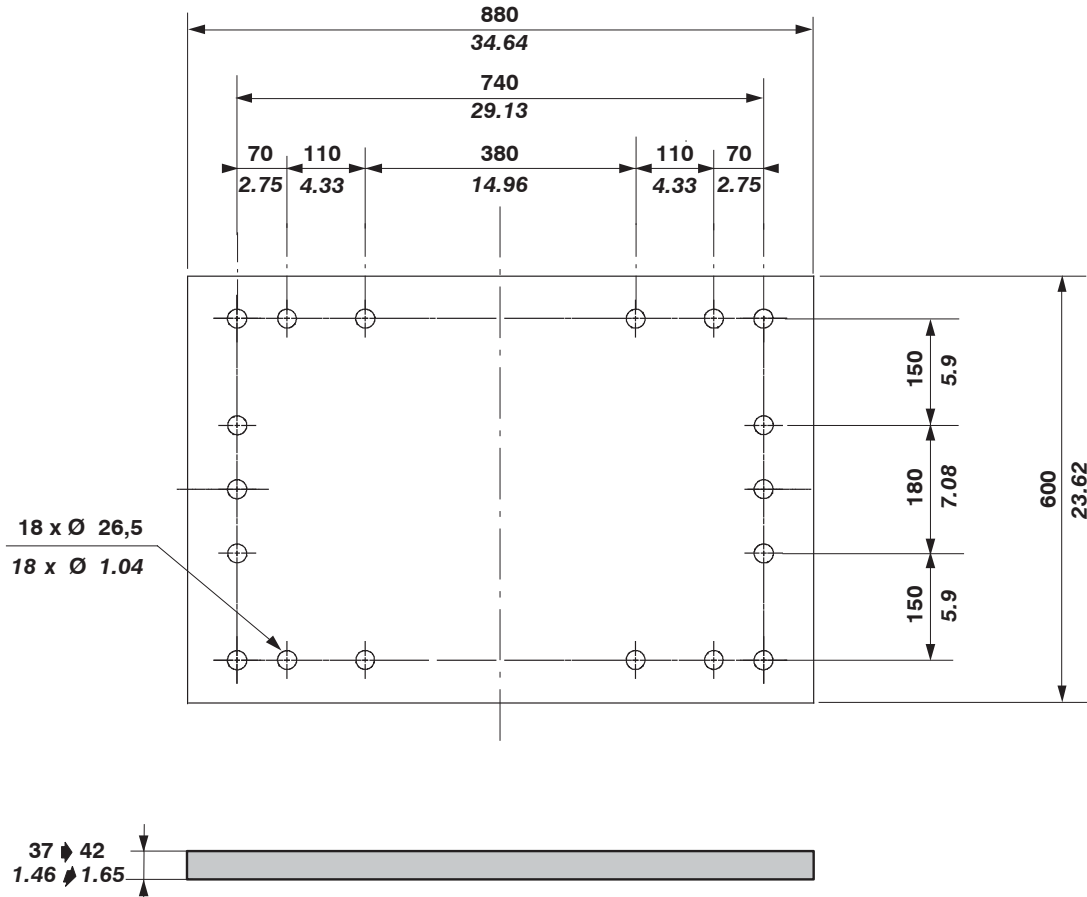


18 x Ø 27
 18 x Ø 1.06



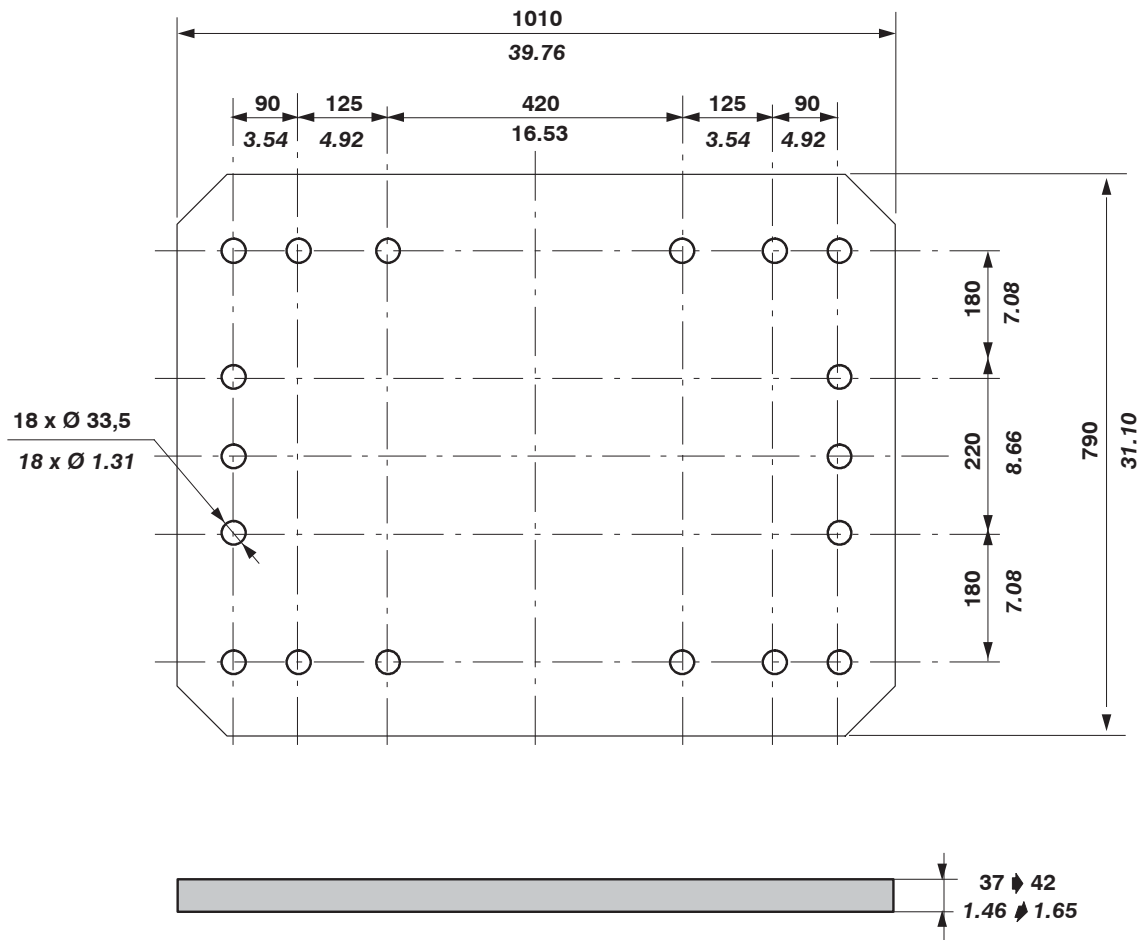
 mm
 in.

V3500



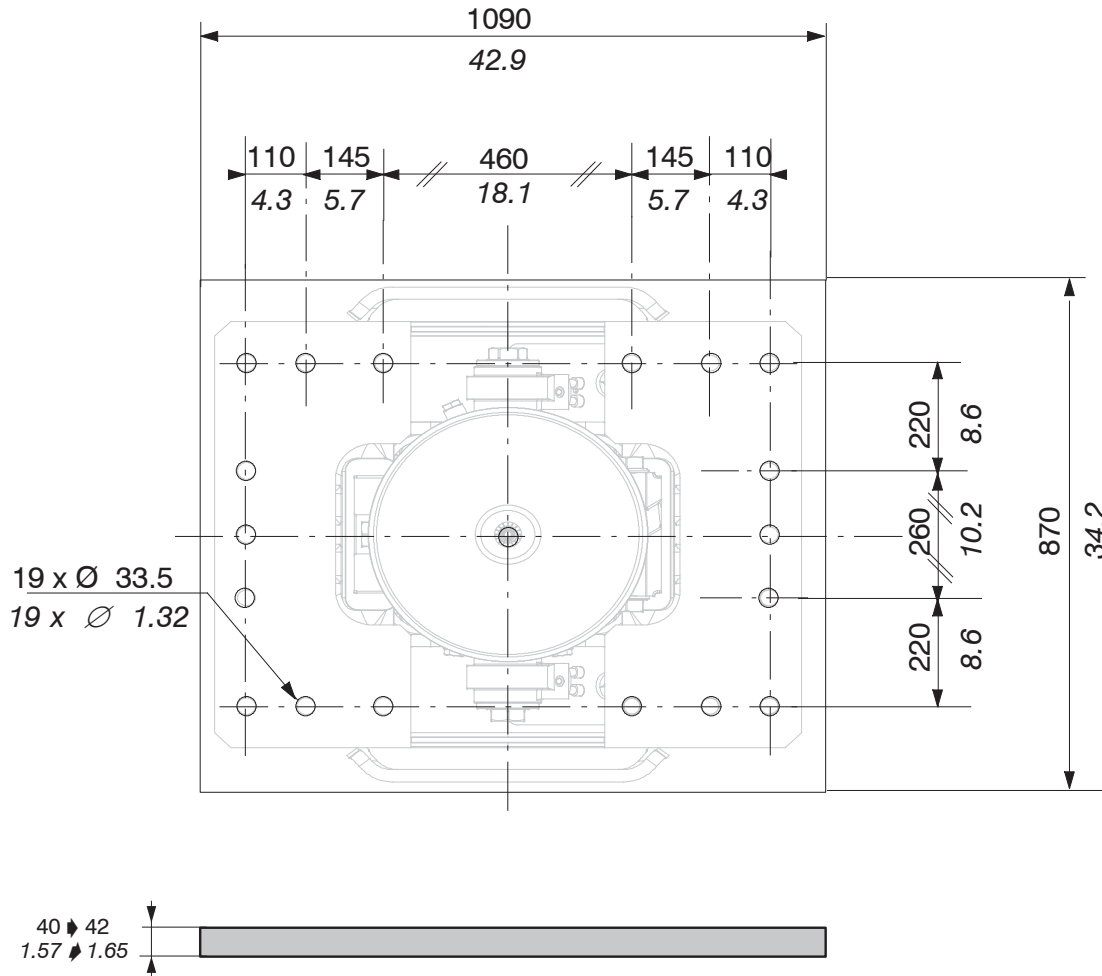
 mm
 in.

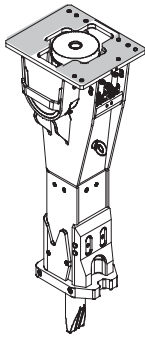
V4500




 mm
 in.

V65





V7000

