

Handling Grapples

MD Series

For carriers from 1,5 to 60 tons



MD Series Handling & Demolition Grapples

This attachment has been designed to handle demolished materials and to do also operations of light demolition directly on buildings or structures.

Thanks to the specific configuration, the considerable gripping force and above all, the 360° hydraulic rotation, this grapple can be used in the most precarious conditions, ensuring greater productivity without requiring continuous hand-work.

Each model in the range stands out for the reliability and the sturdiness of the main body, made from the most innovative steel to support the most heavyduty workloads over time.



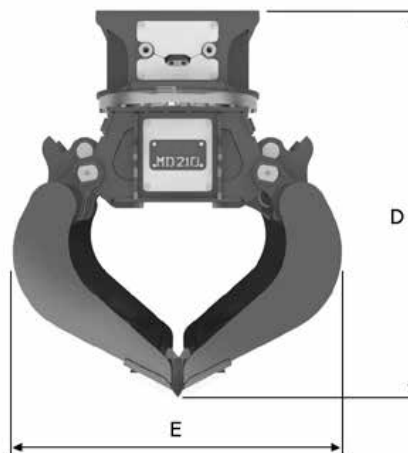
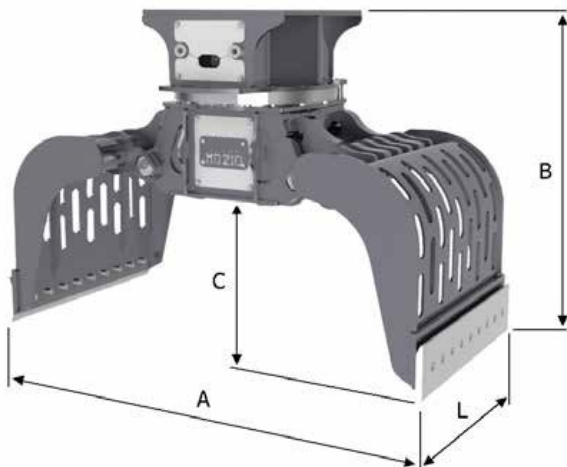
Handling Grapple - MD Series

For dimensions and specifications, see the back of this page.



Hangling Grapples - MD Series

Specifications and Dimensions



Model		MD45	MD65	MD100	MD120	MD140	MD210	MD290	MD410	MD610								
Rotation	°	360	360	360	360	360	360	360	360	360								
Rotation Flow	l/min	5	5 / 8	5 / 8	5 / 8	5 / 8	20 / 30	20 / 30	40 / 50	40 / 50								
Rotation Pressure	bar	120	120	120	120	120	120	120	120	120								
Open/Close Flow	l/min	8 / 12	20 / 25	25 / 30	30 / 40	40 / 50	80 / 100	100 / 120	100 / 120	120 / 140								
Open/Close Pressure	bar	200 / 250	200 / 300	230 / 320	320	320	320	320	320	320								
Excavator Weight	ton	1,5 / 4	3 / 6	5 / 9	8 / 12	11 / 16	15 / 21	20 / 29	28 / 41	37 / 60								
A	mm	955	1185	1560	1685	1810	1930	2260	2500	3000								
B	mm	670	820	980	1150	1200	1350	1530	1745	1980								
C	mm	300	370	480	510	555	600	690	765	875								
D	mm	730	910	1095	1265	1350	1500	1735	1965	2255								
E	mm	630	770	995	1115	1170	1255	1500	1670	1955								
Clamping Force	ton	1 / 1,3	1,3 / 2	2 / 3	3,3	4	7	9	12	14								
L	mm	400	400	500	600	700	700	800	800	1000	1000	1000	1200	1000	1200	1400	1400	1500
Capacity	m ³	0,06	0,09	0,1	0,2	0,25	0,32	0,4	0,5	0,5	0,6	0,7	0,8	1	1,2	1,4	2,2	
Weight Total	kg	130	245	255	430	455	695	860	930	1210	1285	1355	1765	1855	1945	2800	3820	

TRAMAC reserves the right to change or discontinue models and/or specifications without prior notice.

Quality and dependability: two features you can count on with every TRAMAC product.

All TRAMAC products are engineered for superior performance, manufactured to the most exacting specifications, and—within the guidelines of the industry's most rigid quality control program—thoroughly inspected at every stage of production. All working parts are precision-machined to the closest tolerances, and all materials meet or exceed the highest industry standards. These are but a few of the many vital reasons major contractors worldwide choose our products.

They know that with TRAMAC, reliability is crucial; a basic component conscientiously built into every unit that bears our name.



Canada: 3421 Industriel Blvd / Laval, QC / H7L 4S3 / 1-888-663-8122 / 450-663-8122 / FAX 450-663-6797
 1711 Rte de l'Aéroport #4 / L'Ancienne Lorette, Qc / G2G 2P4 / 418-877-5557 / FAX 450-877-1886
 1-28 Steve Fonyo Dr. / Kingston, On / K7M 8N9 / 613-542-1500 / FAX 613-542-1505
 e-mail: tramac@tramac.com <http://www.tramac.com>