

360° Rotary Crushers

FP Series

For carriers from 6 to 110 tons



360° Rotary Crushers FP Series

As result of an advanced design, the FP Series stands out on the market for its technical and technological innovations. Structurally reliable, made of the best raw materials, the range features a continuous 360° hydraulic rotation and stands out above all for its versatility.

Just one attachment can be used for primary demolition (ex.: building demolition) and for secondary demolition (recycle, separate fragmentation)

The replaceable tips, fitted as standard on both jaws, further increase the performance, allowing the perfect separation of reinforcing rods from concrete.



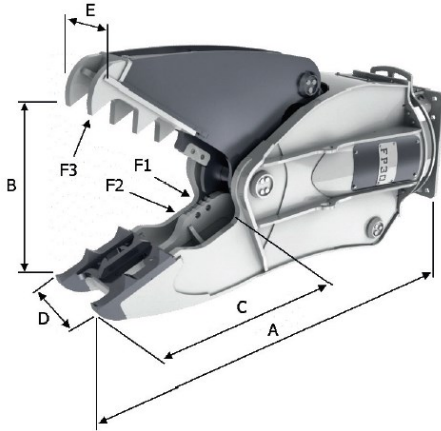
360° Rotary Crushers - FP Series

For dimensions and specifications, see the back of this page.



360° Rotary Crushers - FP Series

Specifications and Dimensions



KIT

INTERCHANGEABLE TIPS AND BLADES KIT



Model		FP07	FP12	FP15	FP18	FP24	FP30	FP40	FP55	FP70
A	mm	1525	1880	2035	2225	2575	2734	3080	3415	3780
B	mm	550	635	680	786	930	1010	1165	1285	1520
C	mm	510	670	720	840	940	1040	1140	1280	1380
D	mm	300	404	404	454	454	490	490	540	635
E	mm	200	260	260	290	290	314	314	350	540
Blade Length	mm	85	150	200	200	200	200	200	300	300
F1	t	135	180	195	234	310	370	505	540	610
F2	t	63	105	120	135	155	225	285	330	430
F3	t	40	55	65	80	105	120	146	175	205
Rotation Flow	l/min	5 / 8	20 / 30	20 / 30	20 / 30	20 / 30	40 / 50	40 / 50	40 / 50	80 / 100
Rotation Pressure	bar	120	120	120	120	120	120	120	120	120
Open/Close Rotation	l/min	70 / 110	110 / 160	140 / 200	180 / 230	250 / 300	300 / 350	350 / 400	400 / 500	500 / 700
Open/Close Pressure	bar	230 / 350	350	350	350	350	350	350	350	350
Weight	kg	630	1290	1630	1970	2560	3330	4400	5800	8700
Carrier Weight	t	6 / 13	13 / 16	15 / 22	18 / 26	25 / 33	32 / 40	38 / 50	50 / 90	70 / 110
	mm	20	30	30	35	40	40	45	45	50

TRAMAC reserves the right to change or discontinue models and/or specifications without prior notice.

Quality and dependability: two features you can count on with every TRAMAC product.

All TRAMAC products are engineered for superior performance, manufactured to the most exacting specifications, and—within the guidelines of the industry's most rigid quality control program—thoroughly inspected at every stage of production. All working parts are precision-machined to the closest tolerances, and all materials meet or exceed the highest industry standards. These are but a few of the many vital reasons major contractors worldwide choose our products.

They know that with TRAMAC, reliability is crucial; a basic component conscientiously built into every unit that bears our name.

