

TraPac

Hydraulic Plate Compactors

For carriers from 3,000 to 100,000 lbs



TraPac boom-mounted vibratory plate compactors handle the toughest compaction tasks, yet are easy to operate and mount.

Tramac's *Trapac* operating system combines maximum eccentric weight with precise proportions of amplitude and vibration frequency that will generate the most productive centrifugal force. They are capable of handling the toughest compaction jobs, and are available in sizes to fit carriers from 3,000 up to 100,000 lbs.

• **Maximum production**

- Oversize eccentric, driven by compactor's hydraulic motor, produces powerful vibrations transmitted through baseplate to soil
- Vibrations rearrange soil particles, drive out air and moisture for optimum compaction

• **Minimum maintenance**

- Bearings run in oil bath—no greasing required
- Baseplate and eccentric housing integrally mounted, no bolts to tighten.
- Heavy rubber isolators protect carrier boom from vibrations

• **Fast, easy installation**

- Complete installation kits for all carrier models simplify hook-up
- Kits allow easy replacement of carrier bucket with compactor

• **Vibratory pile driving**

- Compactor can double as pile driver in suitably granular soils
- Placed atop a sheet pile, signpost or similar object, compactor's powerful vibrating forces along with slight down pressure will quickly slide the pile into the ground

• **Mounting Options**

- Available as standard side plate, pin-on configuration or flat plate with bolt pattern for bracket cap mounting (TM Version)

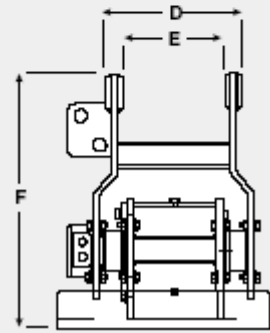
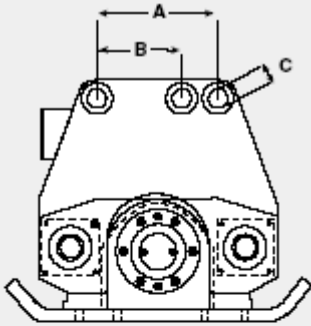
For dimensions and specifications see the back of this page.

Trapac Hydraulic Plate Compactors



Hydraulic Plate Compactors

Specifications and Dimensions



TraPac Compactors		TR6	TR9	TR14	TR21	TR40TM
Specifications						
Recommended Carrier Weight	<i>US tons</i>	1.5 – 4.5	2.5 – 9	5 – 15	10 – 30	25 – 50
Centrifugal (Impulse) Force	<i>lbs kg</i>	1800 - 3200 815 - 1450	3800 - 8000 1725 - 3629	7000 - 14500 3175 - 6575	15000 - 21500 6800 - 9750	21000 - 40000 9525 - 18140
Cycles per minute	<i>RPM</i>	2600 - 3750	1800 - 2600	1800 - 2600	2000 - 2300	1500 - 2100
Flow Range	<i>Motor gpm lpm</i>	A 8 - 14 30 - 53	A B 12 - 18 24 - 30 46 - 69 91 - 114	A B 12 - 18 24 - 30 46 - 69 91 - 114	A B 30 - 34 40 - 44 114 - 129 152 - 167	A 45 - 55 171 - 208
Working Weight	<i>lbs kg</i>	250 115	715 325	850 385	1500 680	2500 1135
Baseplate Dimensions	<i>in mm</i>	12 x 18 305 x 457	23 x 31 584 x 787	23 x 35 584 x 889	23.5 x 41 597 x 1041	35 x 41 889 x 1041
Estimated Lift	<i>in mm</i>	12 - 30 304 - 762	18 - 36 460 - 915	24 - 48 610 - 1220	36 - 60 915 - 1525	48 - 72 1220 - 1830
← A →	<i>in mm</i>	8 200	14 356	14 356	20 508	These units are supplied with a custom bolt-on mounting bracket built to OEM carrier specifications. Bucket pins may be used.
← B →	<i>in mm</i>	n/a	9 229	n/a	n/a	
← C →	<i>in mm</i>	2.2 56	2.2 56	2.2 56	4 101	
← D →	<i>in mm</i>	11 290	15 381	15 381	21.25 540	
← E →	<i>in mm</i>	9 220	10.5 267	10.5 267	17.75 450	
← F →	<i>in mm</i>	20 502	26.5 673	28.25 718	36.25 920	

Quality and dependability: two features you can count on with every Montabert product.

All Montabert products are engineered for superior performance, manufactured to the most exacting specifications, and—within the guidelines of the industry's most rigid quality control program—thoroughly inspected at every stage of production. All working parts are precision-machined to the closest tolerances, and all materials meet or exceed the highest industry standards. These are but a few of the many vital reasons major contractors worldwide choose our products.

They know that with Montabert, reliability is crucial; a basic component conscientiously built into every unit that bears our name.

