

360° Rotary Crushers

FP Series

For carriers from 6,5 to 122 tons



360° Rotary Crushers FP Series

As result of an advanced design, the FP Series stands out on the market for its technical and technological innovations. Structurally reliable, made of the best raw materials, the range features a continuous 360° hydraulic rotation and stands out above all for its versatility.

Just one attachment can be used for primary demolition (ex.: building demolition) and for secondary demolition (recycle, separate fragmentation)

The replaceable tips, fitted as standard on both jaws, further increase the performance, allowing the perfect separation of reinforcing rods from concrete.



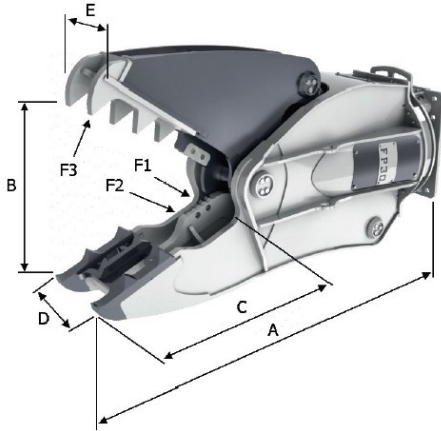
360° Rotary Crushers - FP Series

For dimensions and specifications, see the back of this page.



360° Rotary Crushers - FP Series

Specifications and Dimensions



KIT

INTERCHANGEABLE TIPS AND BLADES KIT



Model		FP07	FP12	FP15	FP18	FP24	FP30	FP40	FP55	FP70
A	in	60,04	74,02	80,12	87,60	101,38	107,64	121,26	134,45	148,62
B	in	21,65	25,00	26,77	30,94	36,61	39,76	45,87	50,59	59,84
C	in	20,08	26,38	28,35	33,07	37,01	40,94	44,88	50,39	54,33
D	in	11,81	15,91	15,91	17,87	17,87	19,29	19,29	21,26	25,00
E	in	7,87	10,24	10,24	11,42	11,42	12,36	12,36	13,78	21,26
Blade Length	in	3,35	5,91	7,87	7,87	7,87	7,87	7,87	11,81	11,81
F1	t	148	198	214	257	341	407	555	593	670
F2	t	69	115	132	148	170	247	313	363	473
F3	t	44	60	71	88	115	132	160	192	225
Rotation Flow	gal/min	1 / 2	5 / 7	5 / 7	5 / 7	5 / 7	10 / 13	10 / 13	10 / 13	21 / 26
Rotation Pressure	psi	1714	1714	1714	1714	1714	1714	1714	1714	1714
Open/Close Rotation	gal/min	18 / 29	29 / 42	36 / 52	47 / 60	65 / 79	79 / 92	92 / 105	105 / 131	131 / 184
Open/Close Pressure	psi	3285/5000	5000	5000	5000	5000	5000	5000	5000	5000
Weight	lbs	1400	2867	3622	4378	5689	7400	9778	12889	19333
Carrier Weight	1000 lbs	13 / 28	28 / 35	33 / 48	40 / 57	55 / 73	71 / 88	84 / 111	111 / 200	155 / 244
	in	0,79	1,18	1,18	1,38	1,57	1,57	1,77	1,77	1,97

TRAMAC reserves the right to change or discontinue models and/or specifications without prior notice.

Quality and dependability: two features you can count on with every TRAMAC product.

All TRAMAC products are engineered for superior performance, manufactured to the most exacting specifications, and—within the guidelines of the industry's most rigid quality control program—thoroughly inspected at every stage of production. All working parts are precision-machined to the closest tolerances, and all materials meet or exceed the highest industry standards. These are but a few of the many vital reasons major contractors worldwide choose our products.

They know that with TRAMAC, reliability is crucial; a basic component conscientiously built into every unit that bears our name.